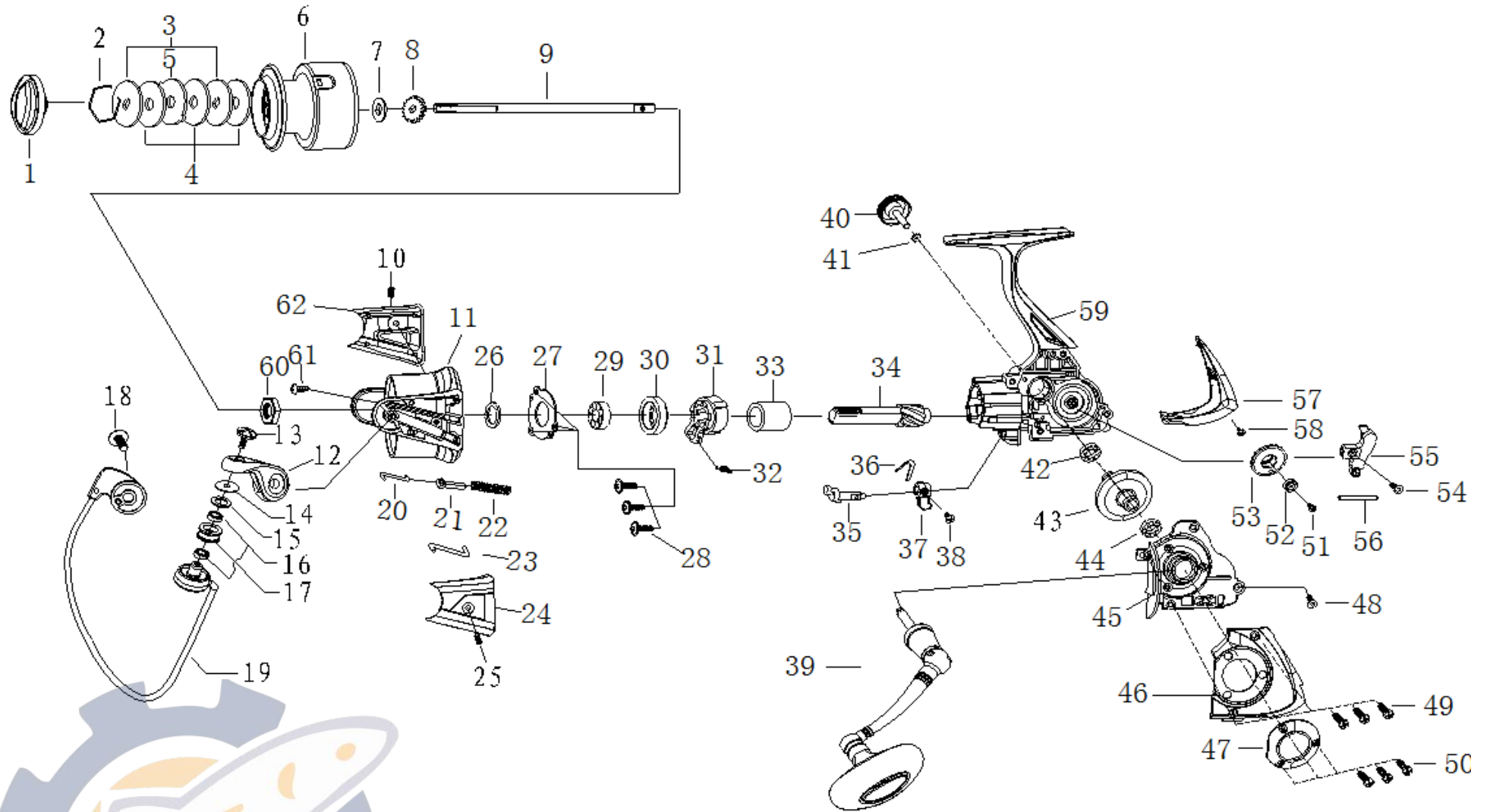


QUANTUM[®]

HC30F



Quantum HC30F Spinning Reel Part List

Key #	Description	Qty	Part No.	Key #	Description	Qty	Part No.
1	DRAG KNOB ASSEMBLY	1	QAD332-01	32	CLUTCH SPRING	1	
2	DRAG RETAINER	1		33	CLUTCH SLEEVE	1	
3	WASHER - KEYED	2		34	PINION GEAR	1	
4	WASHER - FRICTION	3		35	ANTI-REVERSE ACTUATOR	1	
5	WASHER - EAR	1		36	ANTI-REVERSE LEVER SPRING	1	
6	SPOOL ASSEMBLY	1	QAD321-01	37	ANTI-REVERSE SWITCH	1	
7	SPOOL FRICTION WASHER	1	TG039-01	38	SCREW - ANTI-REVERSE SWITCH	1	
8	CLICKER GEAR	1	TG037-01	39	HANDLE ASSEMBLY	1	QAD318-01
9	MAIN SHAFT	1		40	HANDLE SCREW CAP	1	PAD054-01
10	SCREW - ROTOR SIDECOVER	1		41	WASHER - HANDLE SCREW CAP	1	
11	ROTOR	1		42	BALL BEARING - DRIVE GEAR BODY	1	
12	ARM LEVER	1	QAD007-01	43	DRIVE GEAR	1	
13	SCREW - LINE ROLLER	1	VU108-01	44	BALL BEARING - DRIVE GEAR SIDE	1	
14	WASHER - LINE ROLLER	1	QAD102-01	45	SIDECOVER	1	
15	COLLAR - LINE ROLLER	1	DQ102-01	46	SIDECOVER CAP	1	
16	BALL BEARING - LINE ROLLER	2	CT157-01	47	SIDECOVER TRIM	1	
17	LINE ROLLER	1	QAD004-01	48	SCREW - SIDECOVER	1	
18	SCREW - BAIL ASSEMBLY	1		49	SCREW - SIDECOVER CAP	3	
19	BAIL ASSEMBLY	1	QAD347-01	50	SCREW - SIDECOVER TRIM	3	
20	BAIL TRIP LINK	1		51	SCREW - O/S GEAR	1	
21	BAIL ACTUATOR	1		52	BALL BEARING - O/S GEAR	1	
22	BAIL SPRING	1	TG117-01	53	O/S GEAR	1	
23	KICK LEVER	1	QAD019-01	54	SCREW - O/S SLIDER	1	
24	ROTOR SIDECOVER	1		55	O/S SLIDER	1	
25	SCREW - ROTOR SIDECOVER	1		56	O/S SLIDER POST	1	
26	WASHER	1		57	REAR CAP	1	
27	CLUTCH RETAINER	1		58	SCREW - REAR CAP	1	
28	SCREW	3		59	BODY	1	
29	BALL BEARING - PINION GEAR	1		60	ROTOR NUT	1	
30	BALL BEARING HOLDER	1		61	SCREW - ROTOR NUT	1	
31	ONE WAY CLUTCH	1	TG063-01	62	ROTOR SIDECOVER	1	